



HEDGE TRIMMER



Auger Torque T150 Hedge Trimmer for Excavator and Skidsteer

The **Auger Torque Hedge Trimmer** is the perfect addition for excavators 1.5 – 8T and skidsteer loaders, and offers a variety of motor sizes to suit your application. Attaching to an excavator provides extra-long cutting reach, gaining access to those taller trees and deeper hedges. The newly designed skidsteer mounting frame allows you to quickly switch the Hedge Trimmer between left and right sides of the skidsteer. The Hedge Trimmer is also ideal for cutting long grass and brush.

Attaching the optional tooth extension bar provides a full 8 ft cutting length. This is sure to make trimming more precise, efficient and will provide yet another way to expand the versatility of existing machines. **A neat and accurate cut, every time.**



optional 40 inch extension

Features

- ▶ 60 inch cutting length
- ▶ Optional 40 inch cutting extension bar
- ▶ Cuts up to 1.58 inch diameter
- ▶ Replace individual cutting teeth as required
- ▶ Hoses included
- ▶ Delivered ready to use

Visit the Auger Torque website to watch a demo

www.augertorqueusa.com

CALL +1 770 741 0180

EMAIL sales@augertorqueusa.com

OR CONTACT YOUR NEAREST DEALER

Specifications

T150 HEDGE TRIMMER

50cc Motor Variant

Suited to: Excavators 1.5-2.5 T
Skidsteer Loaders

Oil Pressure Range: 2176-3191 psi (150-220 bar)
Oil Flow Range: 9.3-12.7 gpm (35-48 lpm)
Max. Cutting Diameter: 0.98" (25 mm)

80cc Motor Variant

Suited to: Excavators 2.5-4.5 T
Skidsteer Loaders

Oil Pressure Range: 2176-3191 psi (150-220 bar)
Oil Flow Range: 10.6-18.0 gpm (40-68 lpm)
Max. Cutting Diameter: 1.58" (40 mm)

100cc Motor Variant

Suited to: Excavators 4.5-8 T
Skidsteer Loaders

Oil Pressure Range: 2176-3191 psi (150-220 Bar)
Oil Flow Range: 13.2-18.8 gpm (50-71 lpm)
Max. Cutting Diameter: 1.58" (40 mm)

Max. Back Pressure: 290 psi (20 Bar)
Hose Port Diameter: 1/2" BSP
Cutting Length: 59" (1500 mm)

Dimensions (h x w x l):
7.2" x 14.3" x 60.5"
(183 mm x 364 mm x 1537 mm)

Weight: 115 lb (52 kg)

Hydraulic requirements

The Hedge Trimmer attachment needs an absolute minimum of 9.3 gpm (35 lpm) to the attachment at all times to cut a maximum of 1" (25mm) diameter foliage, it will need at least 10.6 gpm (40 lpm) to effectively cut up to 1.58" (40mm) diameter foliage.

EXTENSION

Cutting Length: 40" (1 m)
Combined Cutting Length: 100" (2.5 m)
Max. Cutting Diameter: 1.58" (40 mm)
(dependent on motor variant)

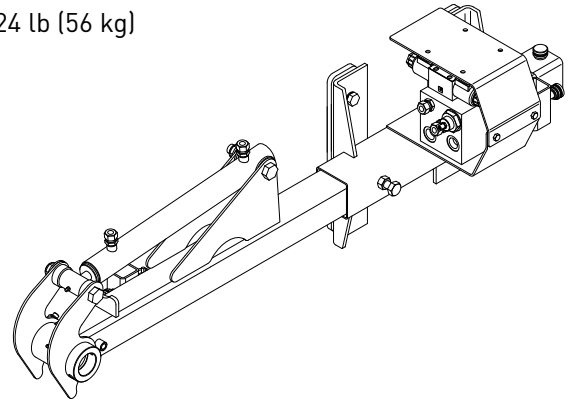
Dimensions (h x w x l):
5" x 8.5" x 47"
(126 mm x 217 mm x 1193 mm)

Weight: 57.3 lb (26 kg)

OFFSET MOUNT

Max. Offset Distance: 51" (1.3 m)
Cutting Angle: Horizontal thru Vertical
Operating Voltage: 12V
Dimensions (h x w x l):
16.46" x 9.69" x 59.33"
(420 mm x 245 mm x 1510 mm)

Weight: 124 lb (56 kg)



Part of the Auger Torque landscaping range

STUMP PLANERS | LOG SPLITTERS | MULCHERS | HEDGE TRIMMERS | SWEEPER BROOMS

www.augertorqueusa.com

CALL +1 770 741 0180

EMAIL sales@augertorqueusa.com

OR CONTACT YOUR NEAREST DEALER